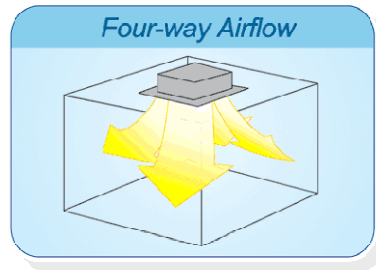


Four-way Cassette Type

1. Features	9
2. Specifications.....	12
3. Dimensions.....	17
4. Service Space.....	18
5. Wiring Diagrams	19
6. Capacity Tables	21
7. Electric Characteristics.....	23
8. Sound Levels.....	23
9. Accessories	24
10. The Specification of Power	25
11. Field Wiring.....	27

1. Features

- (1) Low operation noise
 - Streamline plate ensures quietness
 - Creates natural and comfortable environment
- (2) Efficient cooling—Equal, fast and wide range cooling



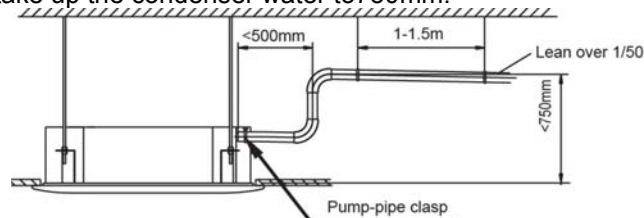
- (3) Excellent performance. The optimal evaporator & sufficient airflow volume guarantees the excellent capacity
- (4) The adoption of the most advanced 3- Dimensional Screw fan
 - Reduces the air resistance passing through
 - Smooths the air flow
 - Makes air speed distribution to the heat exchange uniform



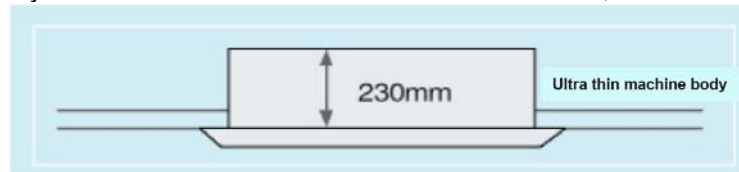
- (5) Fresh air makes life healthier and more comfortable.



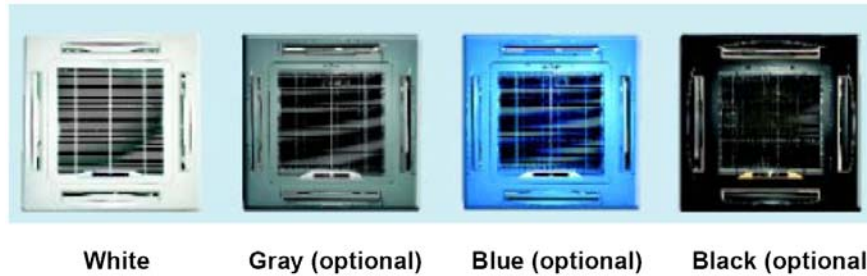
- (6) Drainage pump can take up the condenser water to 750mm.



- (7) Ultra thin machine body to easy installation and maintenance. 18K~24K:230mm, 36~48K:300mm.

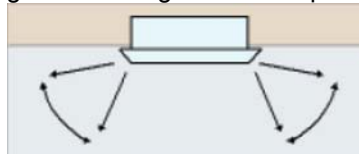


(8) Different color panels for choose: White、Gray、 Blue、 Black

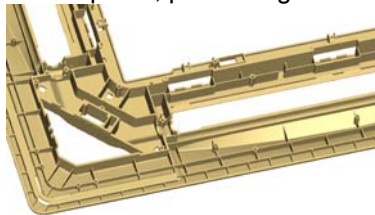


(9) Swing angle of louver

- 1) Add one more swing motor, one motor driving two louvers. Controlling the interspace of each part, minimizing the angle loss.
- 2) The swing angle of the first louver are 40~42 degrees and the second louver are 37~38 degrees. New evaporator and inner configuration designed can acquire high heat-exchanger effect.

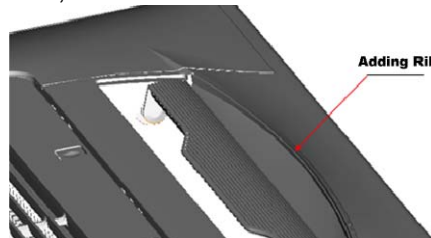


(10) More strengthening rib design around the panel, preventing the distortion for the panel.

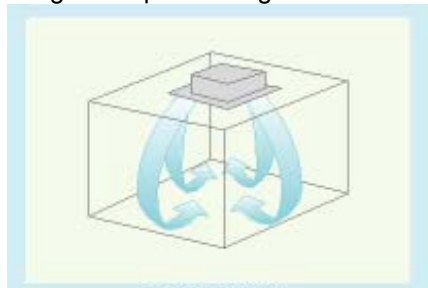


(11) New outlet frame design to make the phenomena of coagulation great improvement: prevent the condensing water from damaging the air guide strip.

(12) Adding rib on the panel of fan outlet, which can avoid the air outlet direct flow to people.



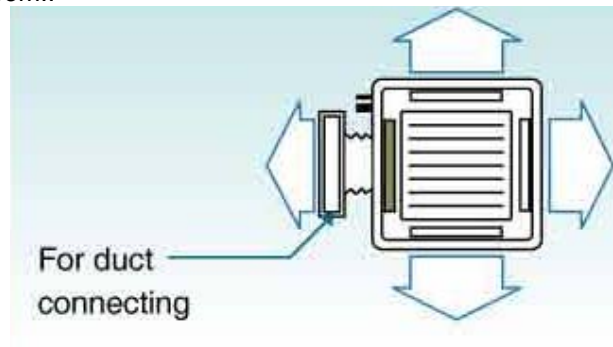
(13) 4 speeds available, optional super high fan speed design suitable for the large building over 3m high.



(14) Adding digital tube displaying on the display board. LED can display the Error Code to make the malfunction checking easier.



- (15) Reserve spaces for air side-outlet, it is available to connect duct pipe hence Air supplying from the four sides to nearby small room..



- (16) Optimal design, smaller Control Box, Space saving and convenient for wiring,
Using fire resistance galvanized steel for E-box material. Metal box make the control part more stable and prevent damaging

- (17) New Panel for optional: 360 degree air-outlet



2. Specifications

Model		MCACE-18CR/ MCACT-18CR	
Power supply		V-Ph-Hz	220~230-1-60
Cooling	Capacity	Btu/h	18000
	Input	W	1886
	EER	W/W	2.81
Heating	Capacity	Btu/h	/
	Input	W	/
	COP	W/W	/
Indoor fan motor	Model		YDK60-6E
	Qty		1
	Input	W	82/67/53
	Capacitor	uF	3uF/450V
	Speed(Hi/Mi/Lo)	r/min	550/480/410
Indoor coil	a. Number of rows		2
	b. Tube pitch(a)x row pitch(b)	mm	21x13.37
	c. Fin spacing	mm	1.5
	d. Fin type		Hydrophilic aluminium
	e. Tube outside dia.and type	mm	Φ7, Inner groove tube
	f. Coil length x height x width	mm	1990x168x26.74
	g. Number of circuits		8
Indoor air flow(Hi/Mi/Lo)		m ³ /h	940/790/660
Indoor noise level (sound pressure)		dB(A)	39/37/34
Throttle type			Throttle valve
Indoor unit	Dimension (WxHxD)(body)	mm	840x230x840
	Packing (WxHxD)(body)	mm	900x250x900
	Dimension (WxHxD)(panel)	mm	950x55x950
	Packing (WxHxD)(panel)	mm	1035x90x1035
	Net/Gross weight(body)	kg	26/32
	Net/Gross weight(panel)	kg	6/9
Design pressure		MPa	2.6/1.0
Refrigerant piping	Liquid side/ Gas side	mm	Φ6.4/Φ12.7
Drainage water pipe diameter		mm	ODΦ32
Controller			R05/BGE
Operation temperature		°C	17-30

- Notes:**
- Nominal cooling capacities are based on the following conditions:
Indoor temp: 27°CDB, 19°CWB; Outdoor temp: 35°CDB; Equivalent ref. piping: 7.5m (horizontal)
 - Nominal heating capacities are based on the following conditions:
Indoor temp: 20°CDB; Outdoor temp: 7°CDB, 6°CWB; Equivalent ref. piping: 7.5m (horizontal)
 - Actual noise level may differ, depending on the room structure, etc, since these noise values are from an anechoic room.

Model		MCACE-24CR/ MCACT-24CR	
Power supply		V-Ph-Hz	220~230-1-60
Cooling	Capacity	Btu/h	24000
	Input	W	2536
	EER	W/W	2.80
Heating	Capacity	Btu/h	/
	Input	W	/
	COP	W/W	/
Indoor fan motor	Model		YDK80-6F
	Qty		1
	Input	W	113/82/58
	Capacitor	uF	3.5UF/450V
	Speed(Hi/Mi/Lo)	r/min	670/550/420
Indoor coil	a. Number of rows		2
	b. Tube pitch(a)x row pitch(b)	mm	21x13.37
	c. Fin spacing	mm	1.5
	d. Fin type		Hydrophilic aluminium
	e. Tube outside dia.and type	mm	Φ7,Inner groove tube
	f. Coil length x height x width	mm	1990x168x26.74
	g. Number of circuits		8
Indoor air flow(Hi/Mi/Lo)		m ³ /h	1200/985/750
Indoor noise level (sound pressure)		dB(A)	45/39/33
Throttle type			Throttle valve
Indoor unit	Dimension (WxHxD)(body)	mm	840x230x840
	Packing (WxHxD)(body)	mm	900x250x900
	Dimension (WxHxD)(panel)	mm	950x55x950
	Packing (WxHxD)(panel)	mm	1035x90x1035
	Net/Gross weight(body)	kg	26/32
	Net/Gross weight(panel)	kg	6/9
Design pressure		MPa	2.6/1.0
Refrigerant piping	Liquid side/ Gas side	mm	Φ9.5/Φ15.9
Drainage water pipe diameter		mm	ODΦ32
Controller			R05/BGE
Operation temperature		°C	17-30

- Notes:**
- Nominal cooling capacities are based on the following conditions:
Indoor temp: 27°CDB, 19°CWB; Outdoor temp: 35°CDB; Equivalent ref. piping: 7.5m (horizontal)
 - Nominal heating capacities are based on the following conditions:
Indoor temp: 20°CDB; Outdoor temp: 7°CDB, 6°CWB; Equivalent ref. piping: 7.5m (horizontal)
 - Actual noise level may differ, depending on the room structure, etc, since these noise values are from an anechoic room.

Model		MCACE-36CR, MCACT-36CR	
Power supply		V-Ph-Hz	220~230-1-60
Cooling	Capacity	Btu/h	36000
	Input	W	3804
	EER	W/W	2.76
Heating	Capacity	Btu/h	/
	Input	W	/
	COP	W/W	/
Indoor fan motor	Model		YDK90-6F
	Qty		1
	Input	W	160/124/95
	Capacitor	uF	3.5UF/450V
	Speed(Hi/Mi/Lo)	r/min	750/610/500
Indoor coil	a. Number of rows		2
	b. Tube pitch(a)x row pitch(b)	mm	21x13.37
	c. Fin spacing	mm	1.5
	d. Fin type		Hydrophilic aluminium
	e. Tube outside dia.and type	mm	Φ7,Inner groove tube
	f. Coil length x height x width	mm	1990x252x26.74
	g. Number of circuits		12
Indoor air flow(Hi/Mi/Lo)		m ³ /h	1850/1250/1080
Indoor noise level (sound pressure)		dB(A)	52/45/39
Throttle type			Throttle valve
Indoor unit	Dimension (WxHxD)(body)	mm	840x300x840
	Packing (WxHxD)(body)	mm	900x320x900
	Dimension (WxHxD)(panel)	mm	950x55x950
	Packing (WxHxD)(panel)	mm	1035x90x1035
	Net/Gross weight(body)	kg	30/36
	Net/Gross weight(panel)	kg	6/9
Design pressure		MPa	2.6/1.0
Refrigerant piping	Liquid side/ Gas side	mm	Φ9.5/Φ19
Drainage water pipe diameter		mm	ODΦ32
Controller			R05/BGE
Operation temperature		°C	17-30

Notes: 1. Nominal cooling capacities are based on the following conditions:

Indoor temp: 27°CDB, 19°CWB; Outdoor temp: 35°CDB; Equivalent ref. piping: 7.5m (horizontal)

2. Nominal heating capacities are based on the following conditions:

Indoor temp: 20°CDB; Outdoor temp: 7°CDB, 6°CWB; Equivalent ref. piping: 7.5m (horizontal)

3. Actual noise level may differ, depending on the room structure, etc, since these noise values are from an anechoic room.

Model		MCACE-48CR, MCACT-48CR	
Power supply		V-Ph-Hz	220~230-1-60
Cooling	Capacity	Btu/h	48000
	Input	W	5224
	EER	W/W	2.68
Heating	Capacity	Btu/h	/
	Input	W	/
	COP	W/W	/
Indoor fan motor	Model		YDK90-6F
	Qty		1
	Input	W	160/124/95
	Capacitor	uF	3.5UF/450V
	Speed(Hi/Mi/Lo)	r/min	750/610/500
Indoor coil	a. Number of rows		2
	b. Tube pitch(a)x row pitch(b)	mm	21x13.37
	c. Fin spacing	mm	1.5
	d. Fin type		Hydrophilic aluminium
	e. Tube outside dia.and type	mm	Φ7,Inner groove tube
	f. Coil length x height x width	mm	1990x252x26.74
	g. Number of circuits		12
Indoor air flow(Hi/Mi/Lo)		m ³ /h	1900/1300/1100
Indoor noise level (sound pressure)		dB(A)	52/45/40
Throttle type			Throttle valve
Indoor unit	Dimension (WxHxD)(body)	mm	840x300x840
	Packing (WxHxD)(body)	mm	900x320x900
	Dimension (WxHxD)(panel)	mm	950x55x950
	Packing (WxHxD)(panel)	mm	1035x90x1035
	Net/Gross weight(body)	kg	30/36
	Net/Gross weight(panel)	kg	6/9
Design pressure		MPa	2.6/1.0
Refrigerant piping	Liquid side/ Gas side	mm	Φ9.5/Φ19
Drainage water pipe diameter		mm	ODΦ32
Controller			R05/BGE
Operation temperature		°C	17-30

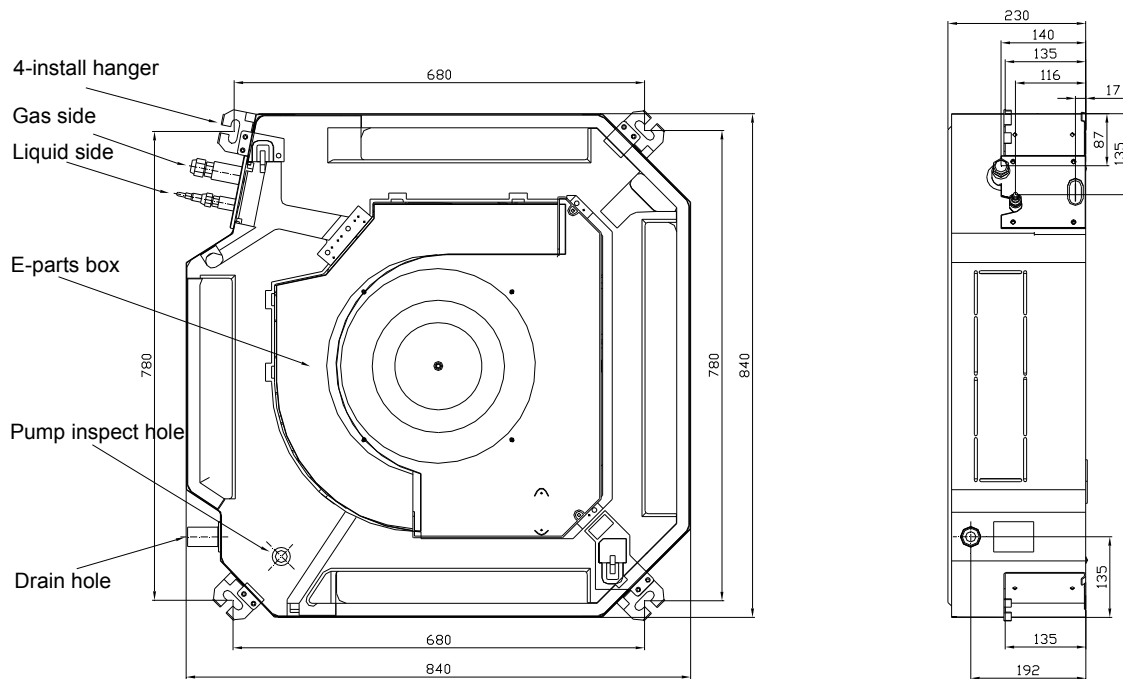
- Notes:**
- Nominal cooling capacities are based on the following conditions:
Indoor temp: 27°CDB, 19°CWB; Outdoor temp: 35°CDB; Equivalent ref. piping: 7.5m (horizontal)
 - Nominal heating capacities are based on the following conditions:
Indoor temp: 20°CDB; Outdoor temp: 7°CDB, 6°CWB; Equivalent ref. piping: 7.5m (horizontal)
 - Actual noise level may differ, depending on the room structure, etc, since these noise values are from an anechoic room.

Model		MCACE-60CR, MCACT-60CR	
Factory model		SA-KF160Q/Y-C	
Code		220042900150	
Power supply		V-Ph-Hz	220~230-1-60
Cooling	Capacity	Btu/h	60000
	Input	W	5926
	EER	W/W	2.70
Heating	Capacity	Btu/h	/
	Input	W	/
	COP	W/W	/
Indoor fan motor	Model	YDK100-6N	
	Qty	1	
	Input	W	240/130/105
	Capacitor	uF	5UF/450V
	Speed(Hi/Mi/Lo)	r/min	860/580/490
Indoor coil	a. Number of rows	3	
	b. Tube pitch(a)x row pitch(b)	mm	21x13.37
	c. Fin spacing	mm	1.5
	d. Fin type	Hydrophilic aluminium	
	e. Tube outside dia.and type	mm	Φ7,Inner groove tube
	f. Coil length x height x width	mm	2080x252x40.11
	g. Number of circuits	12	
Indoor air flow(Hi/Mi/Lo)		m ³ /h	1900/1300/1100
Indoor noise level (sound pressure)		dB(A)	52/45/40
Throttle type		Throttle valve	
Indoor unit	Dimension (WxHxD)(body)	mm	840x300x840
	Packing (WxHxD)(body)	mm	955x330x955
	Dimension (WxHxD)(panel)	mm	950x55x950
	Packing (WxHxD)(panel)	mm	1035x90x1035
	Net/Gross weight(body)	kg	36/41
	Net/Gross weight(panel)	kg	6/9
Design pressure		MPa	2.6/1.0
Refrigerant piping	Liquid side/ Gas side	mm	Φ9.5/Φ19
Drainage water pipe diameter		mm	0DΦ32
Controller		R05/BGE	
Operation temperature		℃	17-30

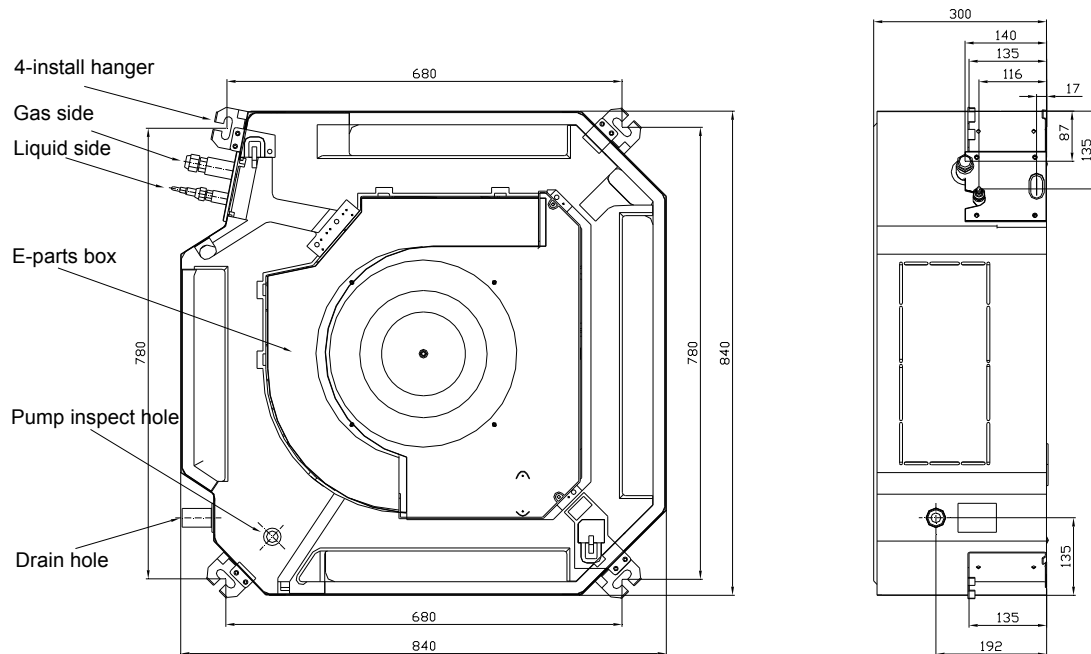
- Notes:**
- Nominal cooling capacities are based on the following conditions:
Indoor temp: 27°CDB, 19°CWB; Outdoor temp: 35°CDB; Equivalent ref. piping: 7.5m (horizontal)
 - Nominal heating capacities are based on the following conditions:
Indoor temp: 20°CDB; Outdoor temp: 7°CDB, 6°CWB; Equivalent ref. piping: 7.5m (horizontal)
 - Actual noise level may differ, depending on the room structure, etc, since these noise values are from an anechoic room

3. Dimensions

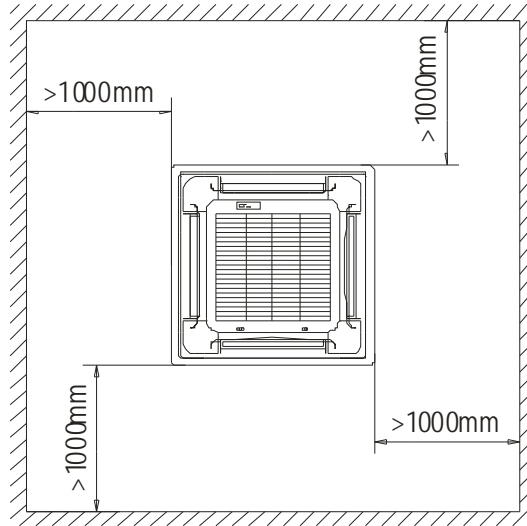
MCACE-18CR, MCACT-18CR, MCACE-24CR, MCACT-24CR



MCACE-36CR, MCACT-36CR, MCACE-48CR, MCACT-48CR, MCACE-60CR, MCACT-60CR

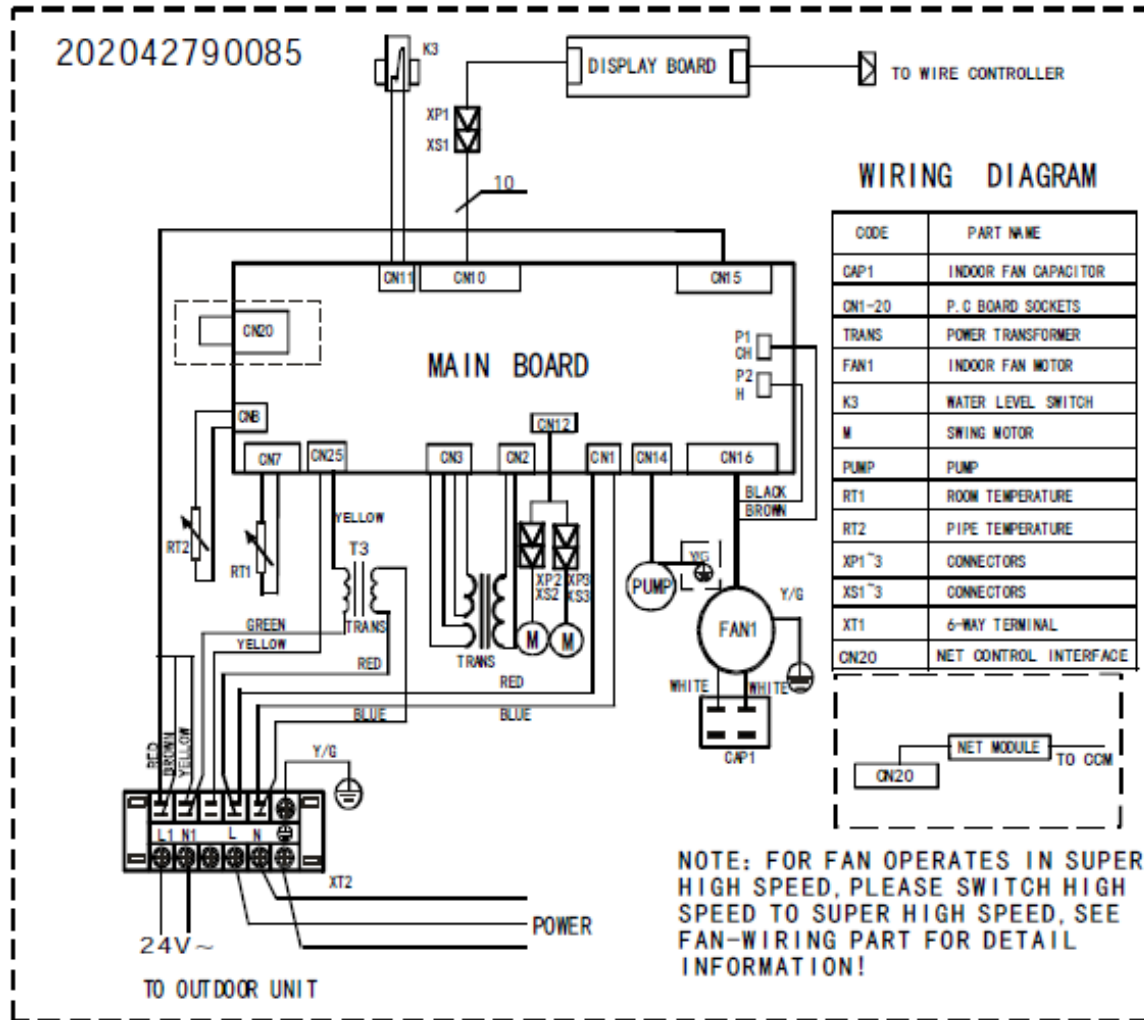


4. Service Space

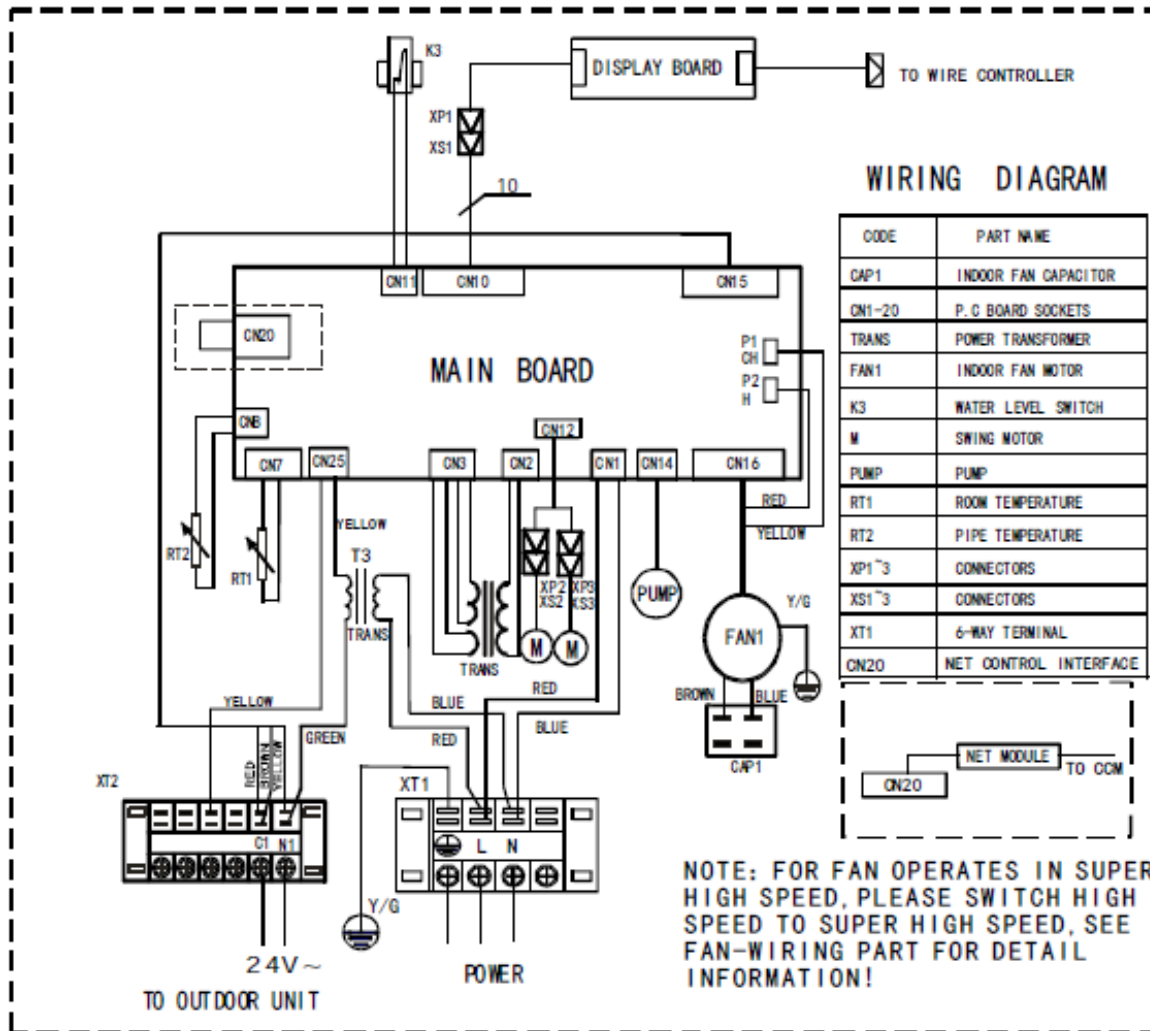


5. Wiring Diagrams

MCACE-18CR, MCACT-18CR, MCACE-24CR, MCACT-24CR MCACE-36CR, MCACT-36CR, MCACE-48CR, MCACT-48CR



MCACE-60CR, MCACT-60CR



6. Capacity Tables

6.1 Cooling Capacity MCACE-18CR, MCACT-18CR

Cooling		Outdoor conditions (DB)			
Indoor Conditions	(kW)	21°C	28°C	35°C	43°C
21/15°C DB/WB	TC	5.46	5.19	4.93	4.72
	SC	4.04	4.00	3.94	3.96
	Input	1.57	1.70	1.78	1.83
24/17°C DB/WB	TC	5.62	5.35	5.09	4.77
	SC	4.21	4.18	4.12	4.01
	Input	1.66	1.78	1.85	1.95
27/19°C DB/WB	TC	5.72	5.46	5.30	4.93
	SC	4.24	4.20	4.13	4.04
	Input	1.70	1.80	1.89	1.98
32/23°C DB/WB	TC	5.83	5.62	5.51	5.09
	SC	4.96	4.89	4.85	4.73
	Input	1.78	1.85	1.98	2.06

MCACE-24CR, MCACT-24CR

Cooling		Outdoor conditions (DB)			
Indoor Conditions	(kW)	21°C	28°C	35°C	43°C
21/15°C DB/WB	TC	7.31	6.96	6.60	6.32
	SC	5.41	5.36	5.28	5.31
	Input	2.11	2.29	2.39	2.46
24/17°C DB/WB	TC	7.53	7.17	6.82	6.39
	SC	5.64	5.59	5.52	5.37
	Input	2.24	2.39	2.49	2.62
27/19°C DB/WB	TC	7.67	7.31	7.10	6.60
	SC	5.67	5.63	5.54	5.41
	Input	2.29	2.41	2.54	2.67
32/23°C DB/WB	TC	7.81	7.53	7.38	6.82
	SC	6.64	6.55	6.50	6.34
	Input	2.39	2.49	2.67	2.77

MCACE-36CR, MCACT-36CR

Cooling		Outdoor conditions (DB)			
Indoor Conditions	(kW)	21°C	28°C	35°C	43°C
21/15°C DB/WB	TC	10.82	10.29	9.77	9.35
	SC	8.00	7.92	7.81	7.85
	Input	3.15	3.42	3.57	3.69
24/17°C DB/WB	TC	11.13	10.61	10.08	9.45
	SC	8.35	8.27	8.16	7.94
	Input	3.34	3.57	3.72	3.91
27/19°C DB/WB	TC	11.34	10.82	10.50	9.77
	SC	8.39	8.33	8.19	8.01
	Input	3.42	3.61	3.80	3.99
32/23°C DB/WB	TC	11.55	11.13	10.92	10.08
	SC	9.82	9.68	9.61	9.37
	Input	3.57	3.72	3.99	4.14

MCACE-48CR, MCACT-48CR

Cooling		Outdoor conditions (DB)			
Indoor Conditions	(kW)	21°C	28°C	35°C	43°C
21/15°C DB/WB	TC	14.42	13.72	13.02	12.46
	SC	10.67	10.56	10.42	10.47
	Input	4.33	4.70	4.91	5.06
24/17°C DB/WB	TC	14.84	14.14	13.44	12.60
	SC	11.13	11.03	10.89	10.58
	Input	4.59	4.91	5.12	5.38
27/19°C DB/WB	TC	15.12	14.42	14.00	13.02
	SC	11.19	11.10	10.92	10.68
	Input	4.70	4.96	5.22	5.48
32/23°C DB/WB	TC	15.40	14.84	14.56	13.44
	SC	13.09	12.91	12.81	12.50
	Input	4.91	5.12	5.48	5.69

MCACE-60CR, MCACT-60CR

Cooling		Outdoor conditions (DB)			
Indoor Conditions	(kW)	21°C	28°C	35°C	43°C
21/15°C DB/WB	TC	16.48	15.68	14.88	14.24
	SC	12.20	12.07	11.90	11.96
	Input	4.92	5.34	5.57	5.75
24/17°C DB/WB	TC	16.96	16.16	15.36	14.40
	SC	12.72	12.60	12.44	12.10
	Input	5.22	5.57	5.81	6.11
27/19°C DB/WB	TC	17.28	16.48	16.00	14.88
	SC	12.79	12.69	12.48	12.20
	Input	5.34	5.63	5.93	6.23
32/23°C DB/WB	TC	17.60	16.96	16.64	15.36
	SC	14.96	14.76	14.64	14.28
	Input	5.57	5.81	6.23	6.46

7. Electric Characteristics

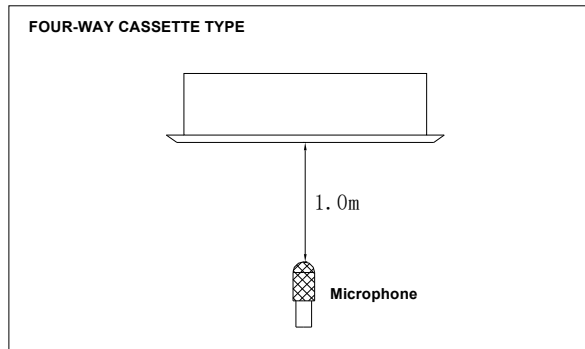
Model	Indoor Unit				Power Supply	
	Hz	Voltage	Min.	Max.	MCA	MFA
MCC-18CR-N	60	220-230V	198V	242V	0.795	10
MCC-24CR-N	60	220-230V	198V	242V	0.96	10
MCC-36CR-N	60	220-230V	198V	242V	1.2	10
MCC-48CR-N	60	220-230V	198V	242V	1.2	10
MCC-60CR-N	60	220-230V	198V	242V	1.575	10

Remark:

MCA: Min. Current Amps. (A)











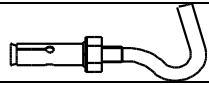

MFA: Max. Fuse Amps. (A)

8. Sound Levels



Model	Noise level dB(A)		
	H	M	L
MCC-18CR-N	39	37	34
MCC-24CR-N	45	39	33
MCC-36CR-N	52	45	39
MCC-48CR-N	52	45	40
MCC-60CR-N	52	45	40

9. Accessories

	Name	Shape	Quantity
INSTALLATION FITTINGS	Installation paper board		1
	Soundproof / insulation sheath		2
Tubing & Fittings	Connecting pipe group		1
	Out-let pipe sheath		1
Drainpipe Fittings	Out-let pipe clasp		1
	Drain joint		1
	Seal ring		1
	Remote controller & Its Frame		1
Remote controller & Its Frame	Remote controller holder		1
	Mounting screw(ST2.9×10-C-H)		2
	Alkaline dry batteries (AM4)		2
	Owner's manual		1
Others	Installation manual		1
	Installation accessory (The product you have might not be provided the following accesso		
Installation accessory (The product you have might not be provided the following accesso	Expansible hook		4
	Installation hook		4

10. The Specification of Power

For 220-230V~ 60Hz Outdoor unit type:

Type (Cooling only)			18000 Btu/h	24000 Btu/h	36000 Btu/h
Power	Indoor unit	Phase	1- Phase	1- Phase	1- Phase
		Frequency and Voltage	220-230V~, 60Hz	220-230V~, 60Hz	220-230V~, 60Hz
	Outdoor unit	Phase	1- Phase	1- Phase	1- Phase
		Frequency and Voltage	220-230V~, 60Hz	220-230V~, 60Hz	220-230V~, 60Hz
Indoor Circuit Breaker/ Fuse (A)			15/10	15/10	15/10
Outdoor Circuit Breaker/ Fuse (A)			30/25	30/25	35/30
Indoor Unit Power Wiring (mm ²)			3x2.5	3x2.5	3x2.5
Outdoor Unit Power Wiring(mm2)			3X2.5	3X3.3	3X3.3
Indoor/Outdoor Connecting Wiring (mm ²)		Weak Electric Signal	2x1.0	2x1.0	2x1.0

Type (Cooling only)			48000 Btu/h	60000 Btu/h
Power	Indoor unit	Phase	1- Phase	1- Phase
		Frequency and Voltage	220-230V~, 60Hz	220-230V~, 60Hz
	Outdoor unit	Phase	1- Phase	1- Phase
		Frequency and Voltage	220-230V~, 60Hz	220-230V~, 60Hz
Indoor Circuit Breaker/ Fuse (A)			15/10	15/10
Outdoor Circuit Breaker/ Fuse (A)			50/45	50/45
Indoor Unit Power Wiring (mm ²)			3x1.5	3x1.5
Outdoor Unit Power Wiring(mm2)			3X6.0	3X6.0
Indoor/Outdoor Connecting Wiring (mm ²)		Weak Electric Signal	2x1.0	2x1.0

Type (Cooling & Heating)			18000 Btu/h	24000 Btu/h	36000 Btu/h
Power	Indoor unit	Phase	1- Phase	1- Phase	1- Phase
		Frequency and Voltage	220-230V~, 60Hz	220-230V~, 60Hz	220-230V~, 60Hz
	Outdoor unit	Phase	1- Phase	1- Phase	1- Phase
		Frequency and Voltage	220-230V~, 60Hz	220-230V~, 60Hz	220-230V~, 60Hz
Indoor Circuit Breaker/ Fuse (A)			15/10	15/10	15/10
Outdoor Circuit Breaker/ Fuse (A)			30/25	30/25	35/30
Indoor Unit Power Wiring (mm ²)			3x2.5	3x2.5	3x2.5
Outdoor Unit Power Wiring(mm2)			3X2.5	3X3.3	3X3.3
Indoor/Outdoor Connecting Wiring (mm ²)		Weak Electric Signal	4x1.0	4x1.0	4x1.0

Type (Cooling & Heating)		48000 Btu/h	60000 Btu/h	
Power	Indoor unit	Phase	1- Phase	1- Phase
		Frequency and Voltage	220-230V~, 60Hz	220-230V~, 60Hz
	Outdoor unit	Phase	1- Phase	1- Phase
		Frequency and Voltage	220-230V~, 60Hz	220-230V~, 60Hz
Indoor Circuit Breaker/ Fuse (A)		15/10	15/10	
Outdoor Circuit Breaker/ Fuse (A)		50/45	50/45	
Indoor Unit Power Wiring (mm ²)		3x1.5	3x1.5	
Outdoor Unit Power Wiring(mm ²)		3X6.0	3X6.0	
Indoor/Outdoor Connecting Wiring (mm ²)		Weak Electric Signal	4x1.0	4x1.0

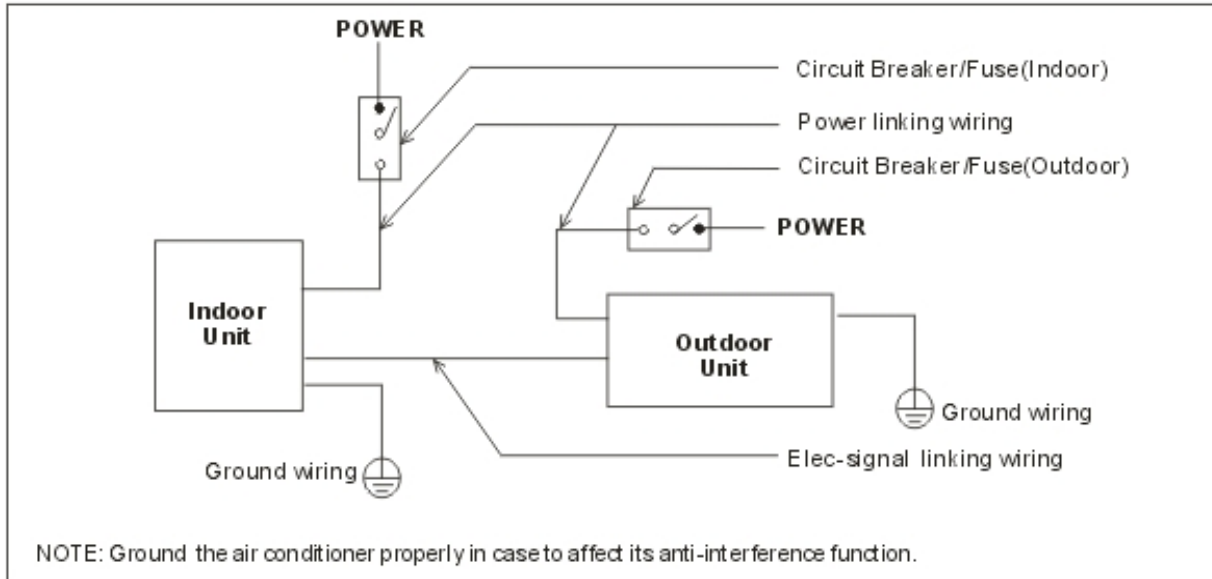
For 220V 3N~ 60Hz Outdoor unit type:

Type (Cooling only)		36000 Btu/h	48000 Btu/h	60000 Btu/h	
Power	Indoor unit	Phase	1- Phase	1- Phase	1- Phase
		Frequency and Voltage	220-230V~, 60Hz	220-230V~, 60Hz	220-230V~, 60Hz
	Outdoor unit	Phase	3- Phase	3- Phase	3- Phase
		Frequency and Voltage	220V~, 60Hz	220V~, 60Hz	220V~, 60Hz
Indoor Circuit Breaker/ Fuse (A)		15/10	15/10	15/10	
Outdoor Circuit Breaker/ Fuse (A)		45/40	45/40	45/40	
Indoor Unit Power Wiring (mm ²)		3x1.5	3x1.5	3x1.5	
Outdoor Unit Power Wiring(mm ²)		5x2.5	5x4.0	5x4.0	
Indoor/Outdoor Connecting Wiring (mm ²)		Weak Electric Signal	2x1.0	2x1.0	2x1.0

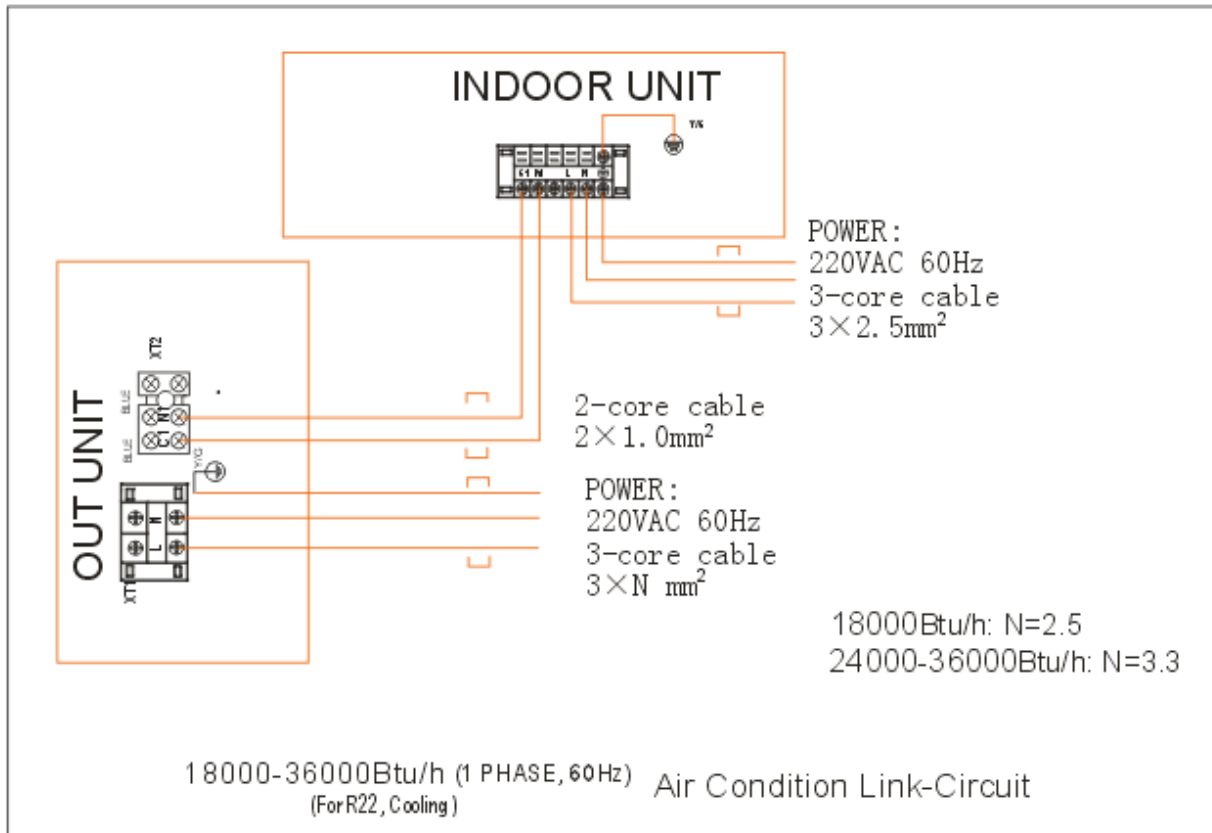
Type (Cooling & Heating)		36000 Btu/h	48000 Btu/h	60000 Btu/h	
Power	Indoor unit	Phase	1- Phase	1- Phase	1- Phase
		Frequency and Voltage	220-230V~, 60Hz	220-230V~, 60Hz	220-230V~, 60Hz
	Outdoor unit	Phase	3- Phase	3- Phase	3- Phase
		Frequency and Voltage	220V~, 60Hz	220V~, 60Hz	220V~, 60Hz
Indoor Circuit Breaker/ Fuse (A)		15/10	15/10	15/10	
Outdoor Circuit Breaker/ Fuse (A)		45/40	45/40	45/40	
Indoor Unit Power Wiring (mm ²)		3x1.5	3x1.5	3x1.5	
Outdoor Unit Power Wiring(mm ²)		5x2.5	5x4.0	5x4.0	
Indoor/Outdoor Connecting Wiring (mm ²)		Weak Electric Signal	4x1.0	4x1.0	4x1.0

11. Field Wiring

Wiring chart



MCACE-18CR, MCACT-18CR, MCACE-24CR, MCACT-24CR, MCACE-36CR, MCACT-36CR



MCACE-48CR, MCACT-48CR, MCACE-60CR, MCACT-60CR

